

PFX Heat Cell Holder Upgrade

Fitting Instructions



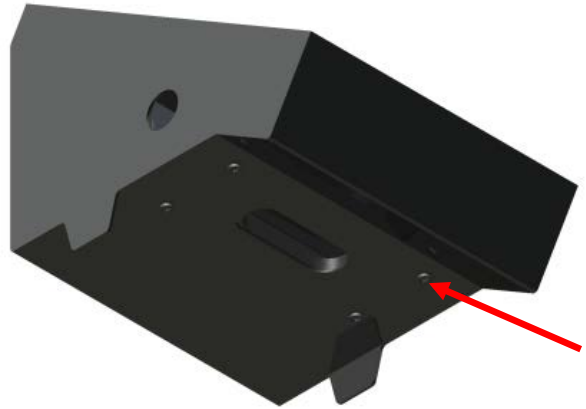
Disconnect from the power supply before continuing.

1



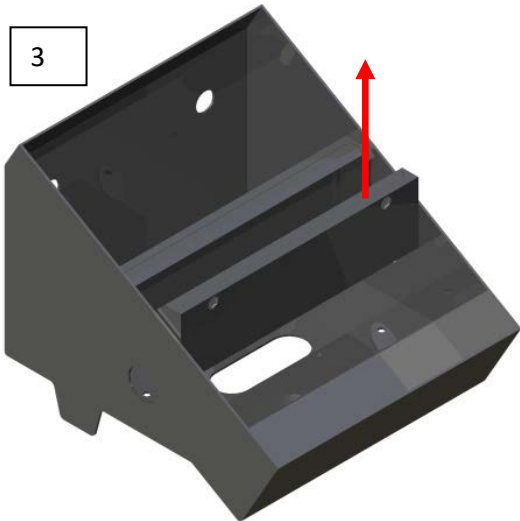
Open the lid and remove the Sample Chamber.

2



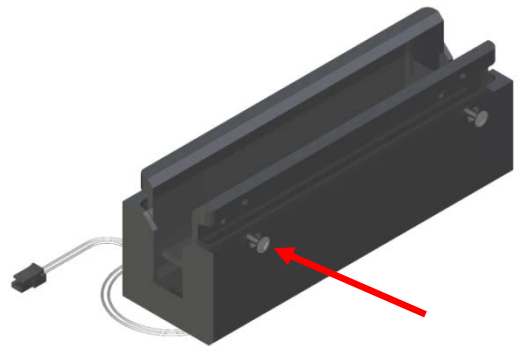
Remove the four screws under the sample chamber.

3



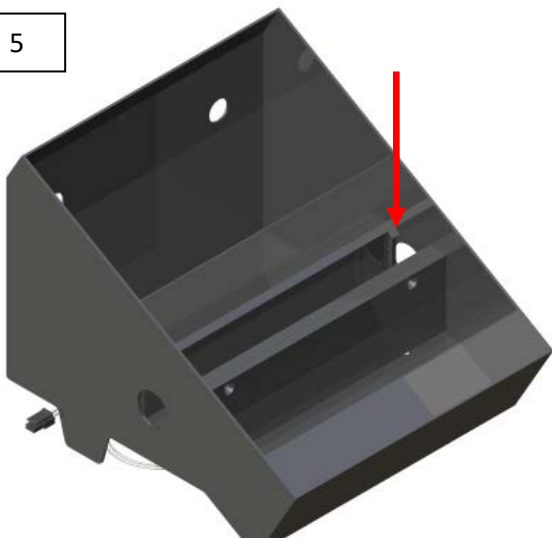
Remove the Cell Holder Assembly.

4



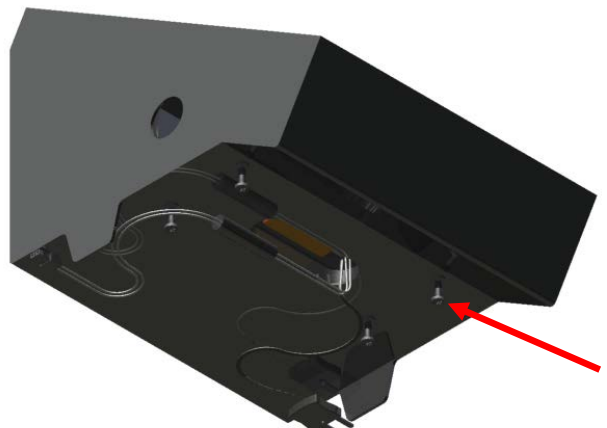
Assemble the Heater Cell Holder into the Heated Cell Holder Body if required. Use the four countersunk socket head screws.

5

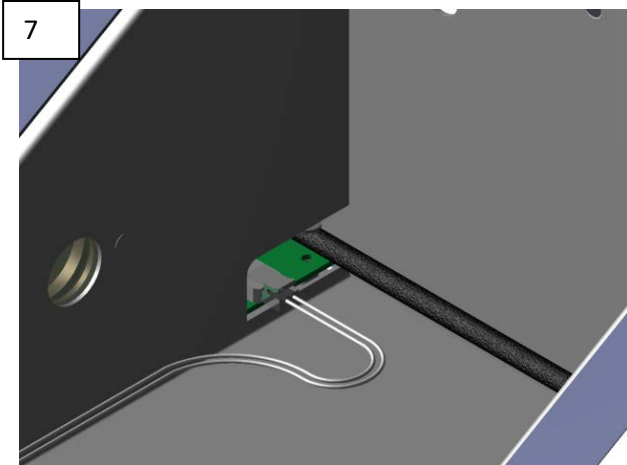


Insert the Heated Cell Holder Assembly. Ensuring the cables go through the hole in the sample chamber.

6

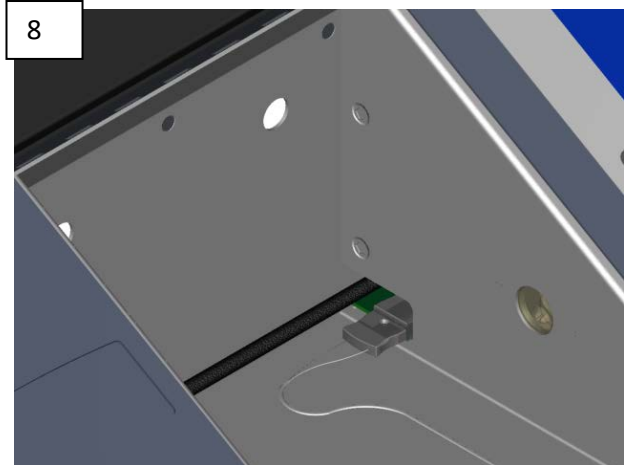


Replace the four screws



7

Connect the Molex connector to the power board.



8

Connect the Thermocouple plug to the Main Board.

9



Replace the sample chamber taking care that the cables remain under the sample chamber then close the lid.



To enable the heater, press **Func** and Enter the function number 801 and then press **↵**. At the Main menu the Heater option will appear.



To disable the heater, press **Func** and Enter the function number 802 and then press **↵**. At the Main menu the Heater option will no longer appear.